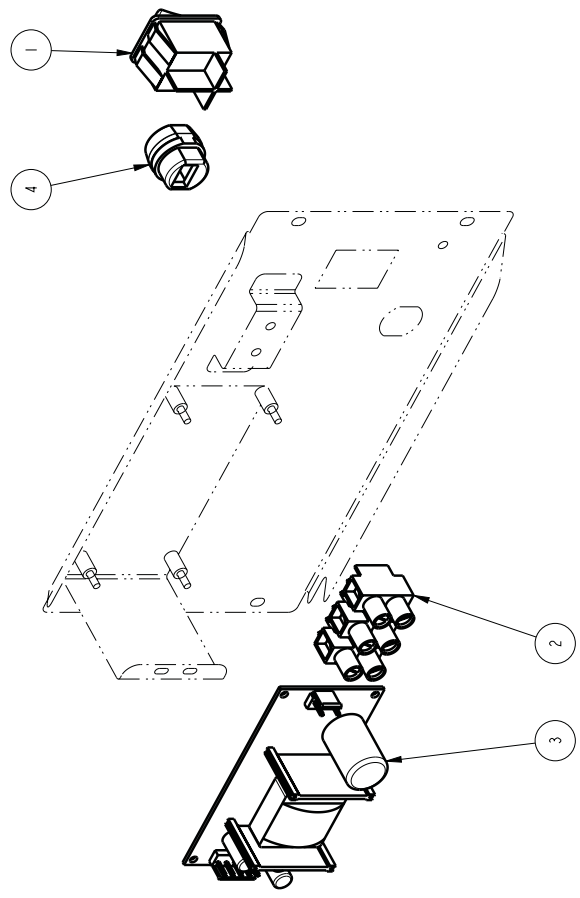


REVISIONS			
REV	DATE	ECO NO	DESCRIPTION
A	11/25/2013	N/A	ORIGINAL
			BY: E. FORONDA

A

- NOTES:
- DRAWING TO BE INTERPRETED IN ACCORDANCE WITH THE CURRENT REVISION OF ASME Y14.5M.
 - TSI TO BE INTERPRETED AS "THEORETICAL SHARP INTERSECTION"
 - PARTS SHALL BE FREE OF ALL "CONTAMINANTS" INCLUDING GREASE, DIRT, MACHINING OIL AND OTHER CONTAMINANTS.
 - PARTS SHALL BE PACKAGED IN A MANNER TO PREVENT SCRATCHING, BOWING OR OTHER DAMAGE DURING SHIPMENT.



ITEM NO	QTY	PART NO	DESCRIPTION
4	1	1086.00029.00	BUSHING, STRAIN RELIEF, 3/60" - 430" DIA CABLE
3	1	1052.00001.00	POWER SUPPLY, 90-264VAC/24VDC, 1.8A
2	1	1052.00022.00	EUROSTRIP HE6 TERM. BLK., 3 POLE, 40AMP, 10-20 TERM. BLK.
1	1	1058.00024.00	SWITCH, POWER, DOUBLE POLE, 16A, 125/250 VAC

TOLERANCES	
UNLESS OTHERWISE SPECIFIED	INCHES
ALL DIMENSIONS	INCHES
DECIMAL ± .005	
ANGULAR ± 1/2°	
THREAD-ANGLE	
WELDING	

BILL OF MATERIALS	
FETCO FOOD EQUIPMENT TECHNOLOGIES COMPANY 10000 W. 10TH AVE. SUITE 1000 DENVER, CO 80202 PHONE: (800) 338-2669 (847) 719-3002 E-MAIL: engineer@fetco.com www.fetco.com	
DRAWING NAME:	SERVICE PARTS BACK PANEL, CBS-2131/41, CE
CREATED BY:	E. FORONDA
DATE:	11/25/2013
DRAWING BY:	E. FORONDA
SCALE:	0.500
SHEETS:	1 of 1
APP'D BY:	AG
REVISION:	A

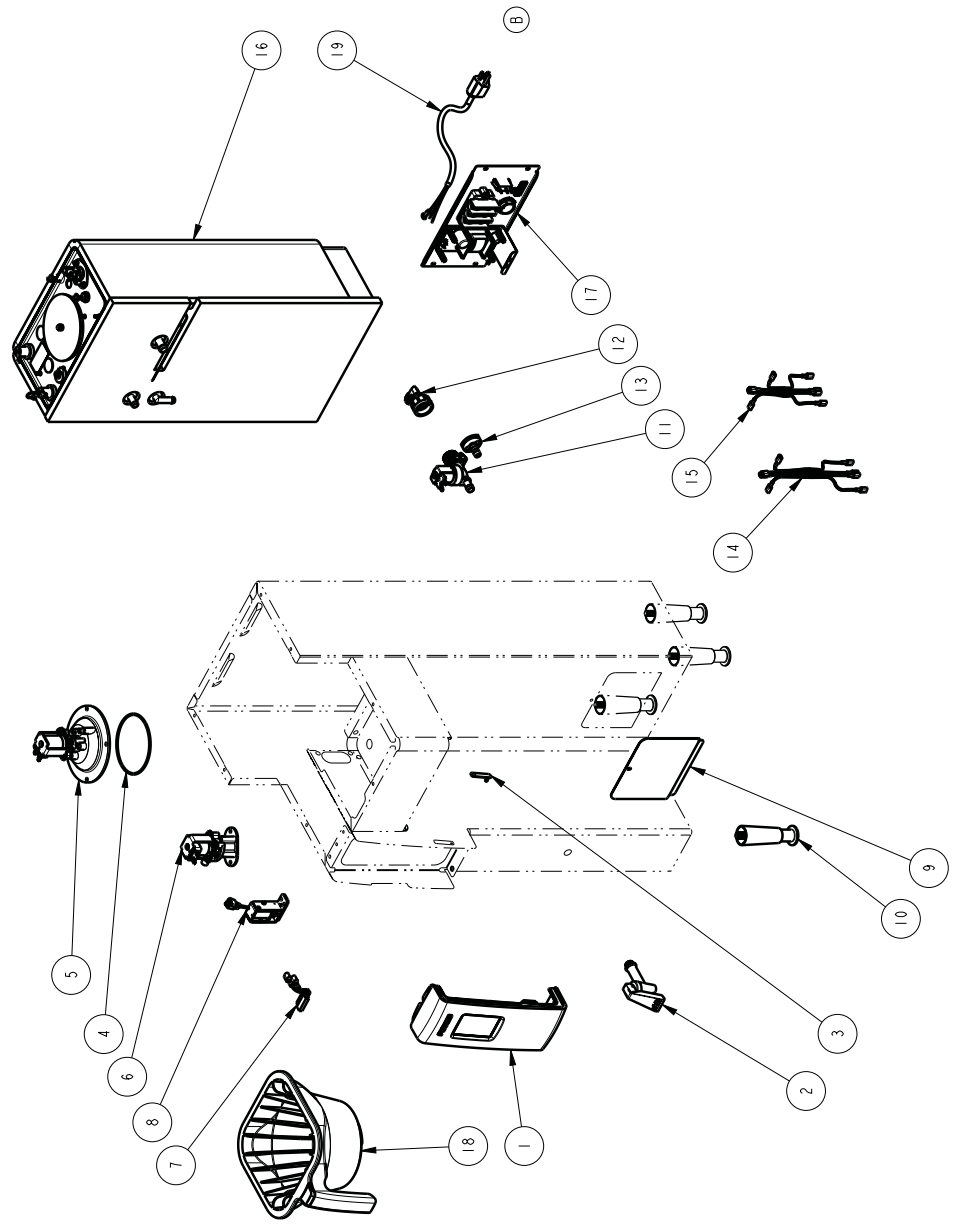
FINISH	SCALE	DATE	BY
N/A	N/A	N/A	N/A

DWG. REF.: 1102.00213.00

PROPRIETARY AND CONFIDENTIAL. THE INFORMATION CONTAINED IN THIS DRAWING IS THE SOLE PROPERTY OF FETCO. ANY REPRODUCTION IN PART OR AS A WHOLE WITHOUT THE WRITTEN PERMISSION OF FETCO IS PROHIBITED.

NOTES:

1. DRAWING TO BE INTERPRETED IN ACCORDANCE WITH THE CURRENT REVISION OF ASME Y14.5M.
2. TSI TO BE INTERPRETED AS THEORETICAL SHARP INTERSECTION.
3. PARTS SHALL BE FREE OF ALL CONTAMINANTS INCLUDING GREASE, DIRT, MACHINING OIL AND OTHER CONTAMINANTS.
4. PARTS SHALL BE PACKAGED IN A MANNER TO PREVENT SCRATCHING, BOWING OR OTHER DAMAGE DURING SHIPMENT.



REVISIONS			
REV	DATE	ECO NO	DESCRIPTION
A	03/14/2014	N/A	ORIGINAL
B	10/31/2014	N/A	ITEM 16 WAS 1104.00065.00

BY: E.FORONDA
E.FORONDA

B

ITEM NO/QT	PART NO	DESCRIPTION
19	1102.00240.00	ASSEMBLY POWER CORD, 20M/20VAC, 5-20P NEMA PLUG
18	B014218BN2	BB ASST. 13" X 5" X 5" Ø. 218" HOLE. BRN PLUG
17	1102.00209.00	ASSEMBLY BACK PANEL, CBS-2131 AND 2141
16	1104.00088.00	TANK ASSY, 2.3kW/120VAC, CBS-2141-XTS
15	1402.00062.00	HARNES. HIGH AMP, CBS-2131/41, XTS, UL
14	1402.00045.00	HARNES. LOW AMP, CBS-2141/51, XTS, CE/UL
13	1023.00147.00	PLUG, TANK SERVICE DRAIN FOR 18GA AND UP BODY
12	1102.00243.00	ADAPTER ASST. 3/4" BSP x 1/4" NPT x 3/8" TUBE
11	1057.00043.00	SOLENOID VALVE, SINGLE, 180 DEG, 24VDC
10	1073.00002.00	LEG, FLANGE FOOT, 4.0" HIGH
9	1001.00181.00	COVER FRONT, CBS-2100 XTS
8	1102.00219.00	ASSEMBLY, BB LOCKER, 24VDC
7	1102.00113.00	SWITCH, REED, ASSEMBLY
6	1102.00220.00	ASSEMBLY, BYPASS VALVE, RIGHT
5	1102.00203.00	ASSEMBLY, SPRAY HOUSING, DSPPLI DESIGN
4	1024.00063.00	O-RING, 3.15716" x 3732" CS, DASH # 154, BUNA-N, DUNLOP-ASO
3	1024.00040.00	CARD PLUG, HMD-2100
2	1071.00010.00	FANGET HFC-8 REGULAR HANDLE
1	1102.00210.00	ASSEMBLY, FRONT PANEL, CBS-2100 XTS

TOLERANCES	
UNLESS OTHERWISE SPECIFIED	INCHES
ALL DIMENSIONS IN INCHES	

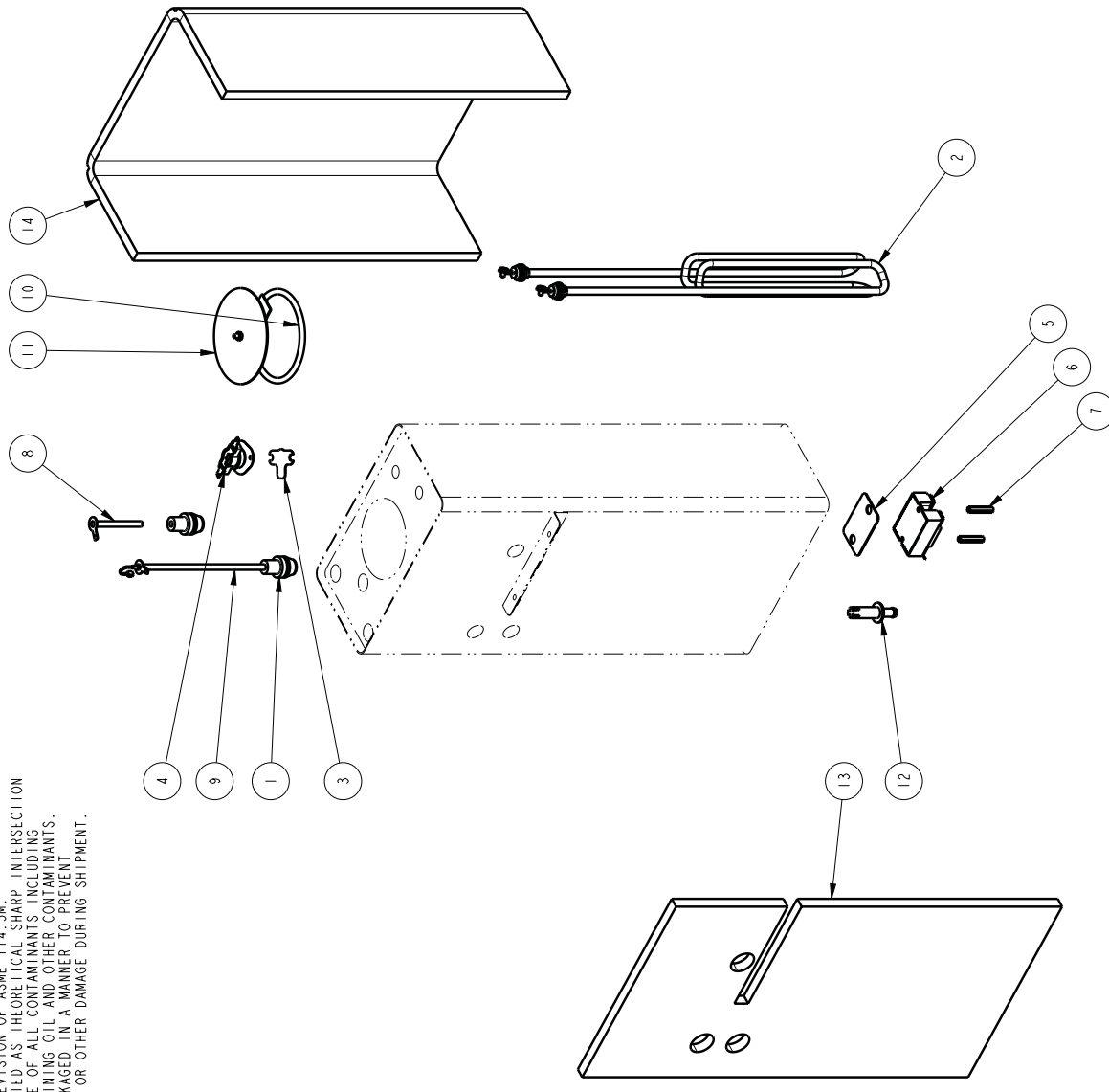
BILL OF MATERIALS	
FETCO FOOD EQUIPMENT TECHNOLOGIES COMPANY 10000 W. 10th Street, Suite 100, Overland Park, KS 66204 PHONE: (800) 338-2669 / (847) 719-3002 USA E-MAIL: engineering@fetco.com www.fetco.com	
DRAWING NAME:	SERVICE PARTS, CBS-2141, 2.3kW/120V XTS
DATE:	03/14/2014
CREATED BY:	E. FORONDA
SCALE:	0.125
DRAWING BY:	E. FORONDA
SHEETS:	1 of 1
APP'D BY:	AG
REVISION:	B
FINISH:	N/A
PRICE:	N/A

TOTALS		
ITEM NO/QT	PART NO	DESCRIPTION
DECIMAL ± .005 ANGULAR ± 1/2 THIRD-ANGLE UNLESS OTHERWISE SPECIFIED ALL DIMENSIONS IN INCHES		
REF. DWG.: 1101.00196.00		

PROPRIETARY AND CONFIDENTIAL. THIS DRAWING IS THE SOLE PROPERTY OF FETCO. THE INFORMATION CONTAINED IN THIS DRAWING IS TO BE USED FOR THE MANUFACTURE OF FETCO EQUIPMENT ONLY. ANY REPRODUCTION IN PART OR AS A WHOLE WITHOUT THE WRITTEN PERMISSION OF FETCO IS PROHIBITED.

NOTES:

1. DRAWING TO BE INTERPRETED IN ACCORDANCE WITH THE CURRENT REVISION OF ASME Y14.5M.
2. TSI TO BE INTERPRETED AS THEORETICAL SHARP INTERSECTION
3. PARTS SHALL BE FREE OF ALL CONTAMINANTS INCLUDING GREASE, DIRT, MACHINING OIL AND OTHER CONTAMINANTS.
4. PARTS SHALL BE PACKAGED IN A MANNER TO PREVENT SCRATCHING, BOWING OR OTHER DAMAGE DURING SHIPMENT.



REVISIONS			
REV	DATE	ECO NO	DESCRIPTION
A	06/18/2014	N/A	ORIGINAL
			BY: E. FORONDA

A

ITEM NO	QTY	PART NO	DESCRIPTION
14	1	1022.00074.00	TANK INSULATION, BACK, CBS-2141e, GROMMET DESIGN
13	1	1022.00065.00	TANK INSULATION, FRONT, CBS-2141e, GROMMET DESIGN
12	1	1023.00166.00	FITTING, COLD WATER INLET, GROMMET DESIGN
11	1	1102.00007.00	TANK COVER ASSEMBLY
10	1	1024.00007.00	O-RING, DASH #344, TANK COVER
9	1	1102.00161.00	PROBE ASSEMBLY, TEMP. AND LLC, HWD-2100
8	1	1112.00019.00	PROBE WELDMENT, WATER LEVEL 2.600" LG
7	2	1081.00042.00	STANDOFF, 1/4" HEX
6	1	1052.00033.00	RELAY, SOLID STATE, 50A/480VAC, W/BUILD IN VARIATOR
5	1	1003.00140.00	ALUMINUM BRACKET FOR SSR
4	1	1053.00003.00	THERMOSTAT, SINGLE SHOT, 240V/40A
3	1	1003.00005.00	BRACKET, ONE SHOT THERMOSTAT
2	1	1107.00029.00	HEATER ASSEMBLY, IMMERSION 2300W/20VAC
1	2	1024.00053.00	LEVEL AND TEMP PROBE GROMMET

FETCO FOOD EQUIPMENT TECHNOLOGIES COMPANY
 10000 W. 10th Street, Suite 100, Overland Park, KS 66211
 PHONE: (800) 338-2669 / (847) 719-3002 USA
 E-MAIL: engineer@fetco.com www.fetco.com

SERVICE PARTS, 2.3kW, CBS-2141 XTS TANK

DRAWING NO: 1109.00074.00
 DATE: 06/18/2014
 SCALE: 0.188
 SHEETS: 1 of 1
 REVISION: A

DESIGNED BY: E. FORONDA
 DRAWING BY: E. FORONDA
 APP'D BY: AG

UNLESS OTHERWISE SPECIFIED: ALL DIMENSIONS IN INCHES
 DECIMAL ± .005
 ANGULAR ± 1/2°
 THREAD-ANGLE
 MATERIAL: WATER/AL

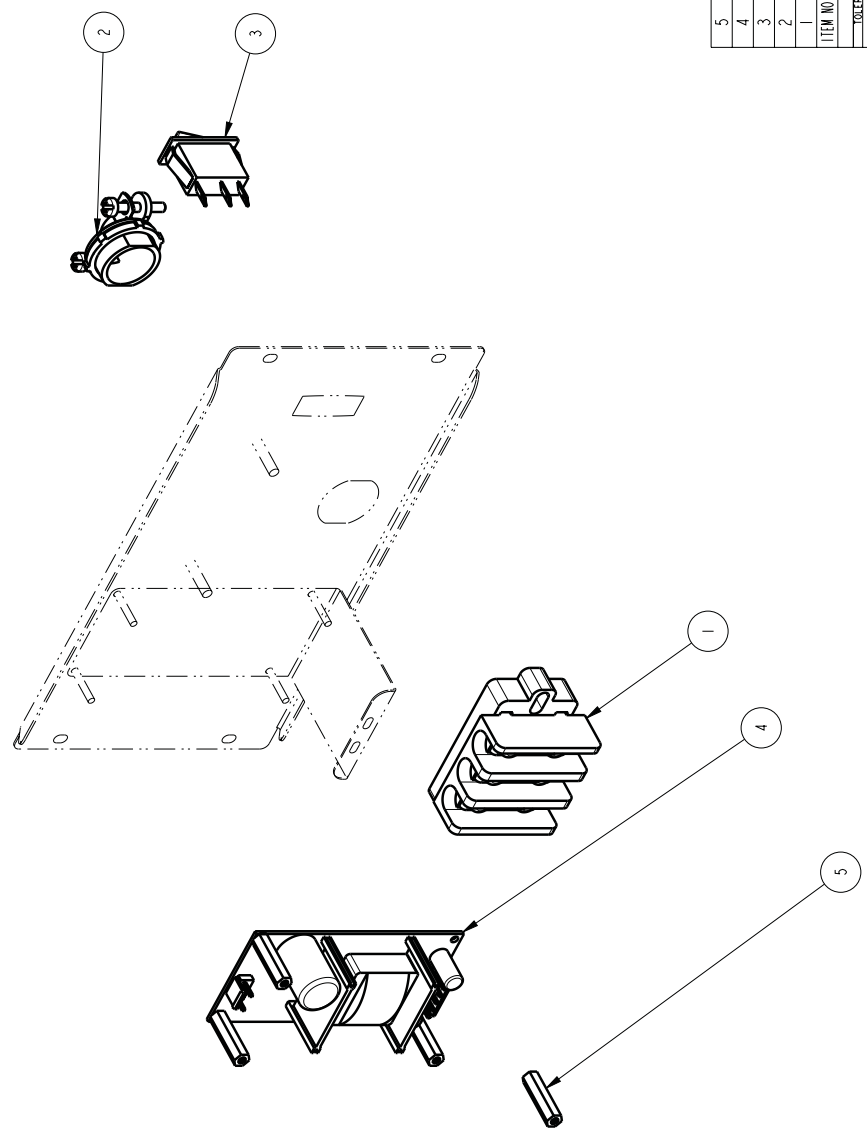
FINISH: N/A
 GRADE: N/A

DWG. REF.: 1104.00065.00

PROPRIETARY AND CONFIDENTIAL. THIS DRAWING IS THE SOLE PROPERTY OF FETCO. THE INFORMATION CONTAINED IN THIS DRAWING IS TO BE USED FOR THE MANUFACTURE OF THE PRODUCT DESCRIBED HEREIN ONLY. ANY REPRODUCTION IN PART OR AS A WHOLE WITHOUT THE WRITTEN PERMISSION OF FETCO IS PROHIBITED.

NOTES:

1. DRAWING TO BE INTERPRETED IN ACCORDANCE WITH THE CURRENT REVISION OF ASME Y14.5M.
2. TSI TO BE INTERPRETED AS THEORETICAL SHARP INTERSECTION.
3. PARTS SHALL BE FREE OF ALL CONTAMINANTS INCLUDING GREASE, DIRT, MACHINING OIL AND OTHER CONTAMINANTS.
4. PARTS SHALL BE PACKED IN A MANNER TO PREVENT BOWING, SCRATCHING, OR OTHER DAMAGE DURING SHIPMENT.



REVISIONS

REV	DATE	ECO NO	DESCRIPTION	BY:
A	06/25/2014	N/A	ORIGINAL	E. FORONDA

A

ITEM NO	QTY	PART NO	DESCRIPTION
5	4	11029.00012.00	SPACER, .25" HEX X 1" LG, FEM #4-40 THREAD
4	1	1052.00001.00	POWER SUPPLY, 90-264VAC/24VDC, 1.8A
3	1	1058.00020.00	SWITCH, PWR ROCKER RED, ILLUM, 250VAC
2	1	1086.00008.00	CONNECTOR, CABLE CLAMP, 3/4"
1	1	1052.00002.00	TERMINAL BLOCK, 3 POLE, W/ MARKING STRIP

TOLERANCES UNLESS OTHERWISE SPECIFIED
 ALL DIMENSIONS IN INCHES
 DECIMAL ± .005
 ANGULAR ± 1/2°
 THREAD-ANGLE
 MATERIAL

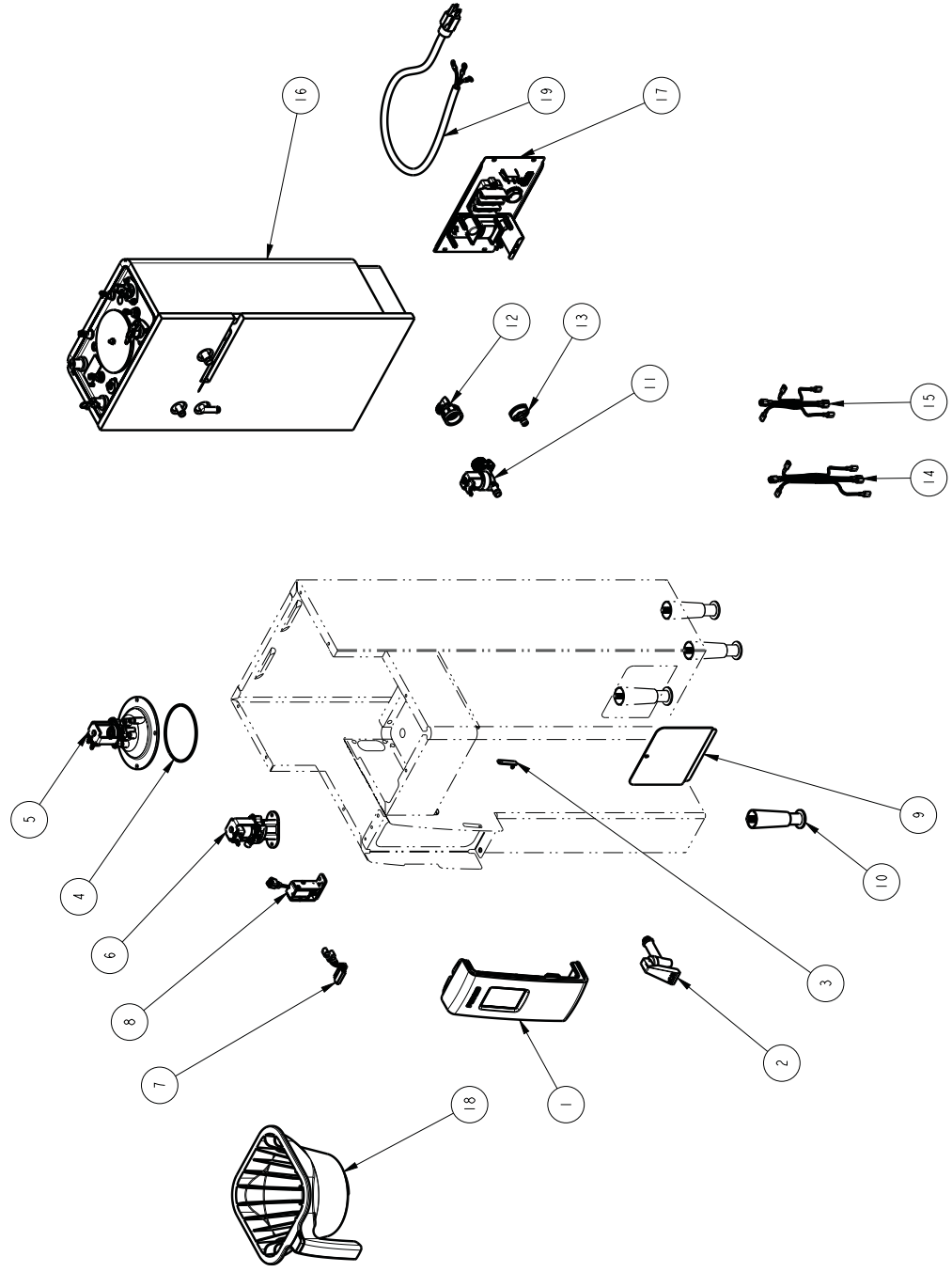
UNLESS OTHERWISE SPECIFIED
 DRAWING NAME: SERVICE PARTS, BACK PANEL, CBS-2131 AND 2141
 DRAWING NO: 1109.00088.00
 DATE: 06/25/2014
 SCALE: 0.500
 SHEETS: 1 of 1
 FINISH: N/A

PROPERTY AND CONFIDENTIAL INFORMATION CONTAINED IN THIS DRAWING IS THE SOLE PROPERTY OF FETCO. ANY REPRODUCTION IN PART OR AS A WHOLE WITHOUT THE WRITTEN PERMISSION OF FETCO IS PROHIBITED.

DWG. REF.: 1102.00209.00

NOTES:

1. DRAWING TO BE INTERPRETED IN ACCORDANCE WITH THE CURRENT REVISION OF ASME Y14.5M.
2. ISL TO BE INTERPRETED AS THEORETICAL SHARP INTERSECTION.
3. PARTS SHALL BE FREE OF ALL CONTAMINANTS INCLUDING GREASE, DIRT, MACHINING OIL AND OTHER CONTAMINANTS.
4. PARTS SHALL BE PACKAGED IN A MANNER TO PREVENT SCRATCHING, BOWING OR OTHER DAMAGE DURING SHIPMENT.



REV	DATE	ECO NO	DESCRIPTION	BY:
A	07/27/2014	N/A	ORIGINAL	E.FORONDA

REVISIONS	
ECO NO	DESCRIPTION
N/A	ORIGINAL

A

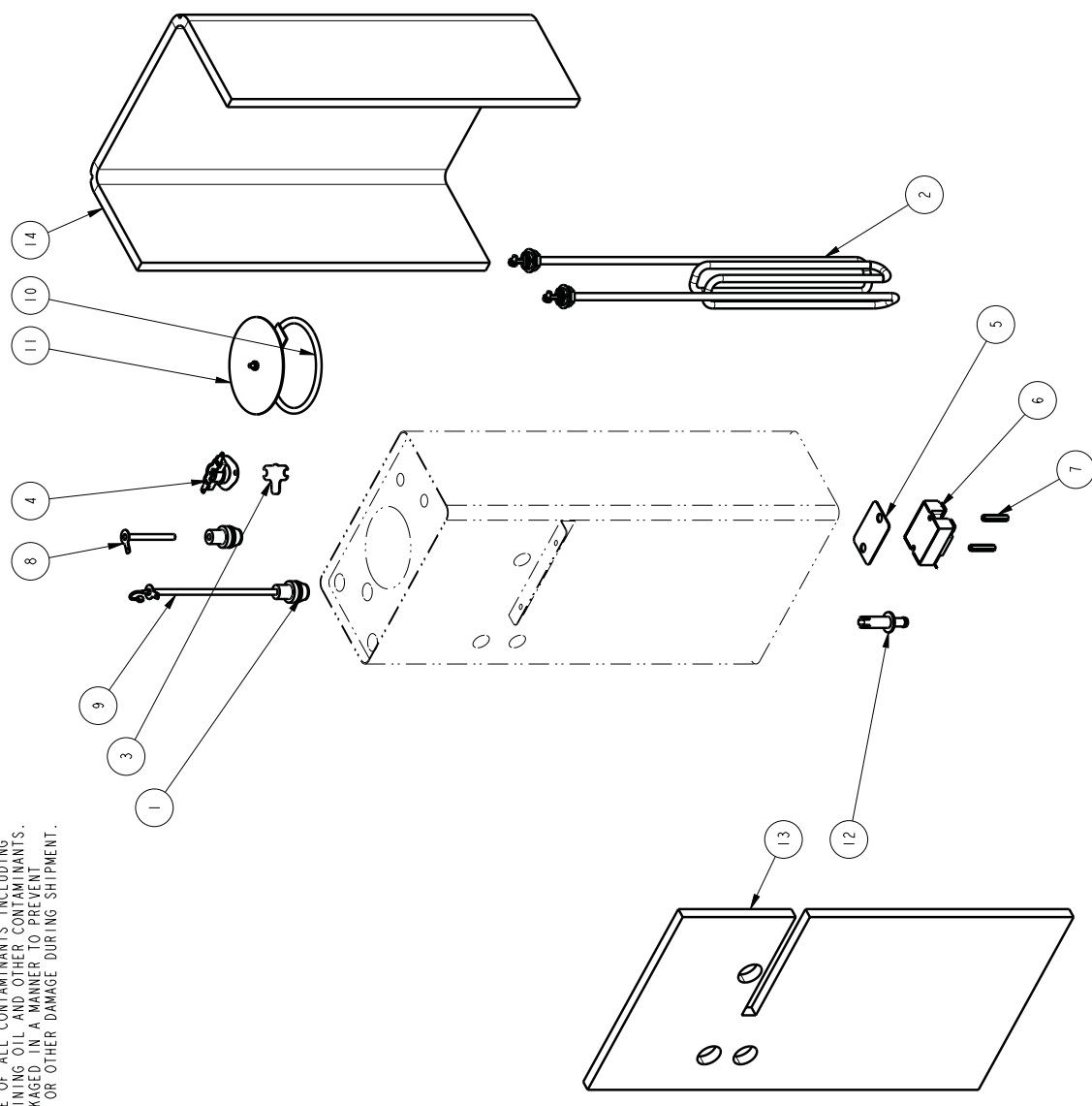
ITEM NO/QT	PART NO	DESCRIPTION
19	1102.00241.00	ASSEMBLY POWER CORD, 15M/20VAC, 5-15P NEMA PLUG
18	B0142188N2	BB ASST. 13" X 5" 5/8" Ø, 218" HOLE, BRN PLUG
17	1102.00209.00	ASSEMBLY BACK PANEL, CBS-2131 AND 2141
16	1104.00069.00	TANK ASSY, 2 X 1.5M/120V, CBS-2141 XTS
15	1402.00063.00	HARNES HIGH AMP, CBS-2131/41 XTS (L1,N1,2), UL
14	1402.00045.00	HARNES LOW AMP, CBS-2141/51 XTS, CE/UL
13	1023.00147.00	PLUG, TANK SERVICE DRAIN FOR 18GA AND UP BODY
12	1102.00243.00	ADAPTER ASST. 3/4" BSP x 1/4" NPT x 3/8" TUBE
11	1057.00043.00	SOLENOID VALVE, SINGLE, 180 DEG, 24VDC
10	1013.00002.00	LEG, FLANGE FOOT, 4.0" HIGH
9	1001.00181.00	COVER FRONT, CBS-2100 XTS
8	1102.00219.00	ASSEMBLY, BB LOCKER, 24VDC
7	1102.00113.00	SWITCH, REED, ASSEMBLY
6	1102.00220.00	ASSEMBLY, BYPASS VALVE, RIGHT
5	1102.00203.00	ASSEMBLY, SPRAY HOUSING, DSPLT DESIGN
4	1024.00063.00	O-RING, 3.15716" x 3732" CS, DASH # 154, BUNA-N, DURD-ASO
3	1024.00040.00	CARD PLUG, HMD-2100
2	1071.00010.00	FANGLET HFS-8 REGULAR HANDLE
1	1102.00210.00	ASSEMBLY FRONT PANEL, CBS-2130, GRAVITY VERSION

TOLERANCES UNLESS OTHERWISE SPECIFIED	
ALL DIMENSIONS IN INCHES	DECIMAL ± .005
	ANGULAR ± 1/2
FINISH	
MATERIAL	
N/A	N/A

BILL OF MATERIALS	
FETCO FOOD EQUIPMENT TECHNOLOGIES COMPANY	
DRAWING NAME: SERVICE PARTS, CBS-2141, 2 X 15KW/120V XTS	
DATE	DRAWING NO.
07/27/2014	1109.00056.00
CREATED BY:	SCALE
E. FORONDA	0.125
DRAWING BY:	SHEETS
E. FORONDA	1 of 1
APP'D BY:	REVISION
AG	A

NOTES:

1. DRAWING TO BE INTERPRETED IN ACCORDANCE WITH THE CURRENT REVISION OF ASME Y14.5M.
2. TSI TO BE INTERPRETED AS THEORETICAL SHARP INTERSECTION
3. PARTS SHALL BE FREE OF ALL CONTAMINANTS INCLUDING GREASE, DIRT, MACHINING OIL AND OTHER CONTAMINANTS.
4. PARTS SHALL BE PACKAGED IN A MANNER TO PREVENT SCRATCHING, BOWING OR OTHER DAMAGE DURING SHIPMENT.



REVISIONS			
REV	DATE	ECO NO	DESCRIPTION
A	06/19/2014	N/A	ORIGINAL

BY: E.FORONDA

A

ITEM NO	QTY	PART NO	DESCRIPTION
14	1	1022.00074.00	TANK INSULATION, BACK, CBS-2141e, GROMMET DESIGN
13	1	1022.00065.00	TANK INSULATION, FRONT, CBS-2141e, GROMMET DESIGN
12	1	1023.00166.00	FITTING, COLD WATER INLET, GROMMET DESIGN
11	1	1102.00007.00	TANK COVER ASSEMBLY
10	1	1024.00007.00	O-RING, DASH #344, TANK COVER
9	1	1102.00161.00	PROBE ASSEMBLY, TEMP. AND LLC, HMD-2100
8	1	1112.00019.00	PROBE WELDMENT, WATER LEVEL 2.600" LG
7	2	1081.00042.00	STANDOFF, 1/4" HEX
6	1	1052.00033.00	RELAY, SOLID STATE, 50A/480VAC, W/BUILD IN VARIATOR
5	1	1003.00140.00	ALUMINUM BRACKET FOR SSR
4	1	1053.00003.00	THERMOSTAT, SINGLE SHOT, 240V/40A
3	1	1003.00005.00	BRACKET, ONE SHOT THERMOSTAT
2	1	1107.00005.00	ASSEMBLY, IMMERSION HEATER, 3000W, 240VAC
1	2	1024.00053.00	LEVEL AND TEMP PROBE GROMMET

TOLERANCES UNLESS OTHERWISE SPECIFIED
 ALL DIMENSIONS IN INCHES

DATE: 06/19/2014
 SCALE: 0.188
 SHEETS: 1 of 1
 REVISION: A

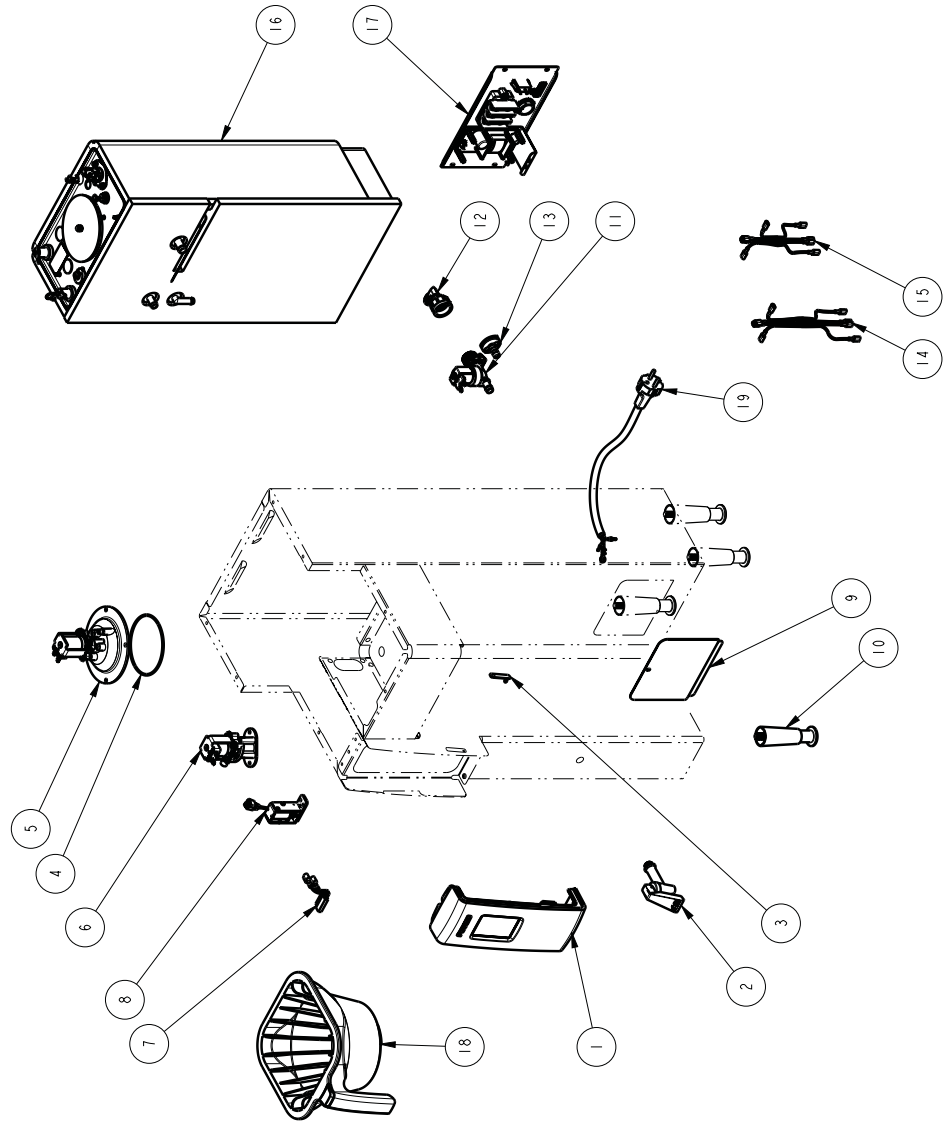
1109.00078.00
 SERVICE PARTS, 30KW, CBS-2141 XTS TANK

1104.00059.00
 DWG. REF. :

PROPRIETARY AND CONFIDENTIAL. THIS DRAWING IS THE SOLE PROPERTY OF FETCO. THE INFORMATION CONTAINED IN THIS DRAWING IS TO BE USED FOR THE PROJECT AND NOT TO BE REPRODUCED IN PART OR AS A WHOLE WITHOUT THE WRITTEN PERMISSION OF FETCO. IS PROHIBITED.

NOTES:

1. DRAWING TO BE INTERPRETED IN ACCORDANCE WITH THE CURRENT REVISION OF ASME Y14.5M.
2. IS1 TO BE INTERPRETED AS THEORETICAL SHARP INTERSECTION.
3. PARTS SHALL BE FREE OF ALL CONTAMINANTS INCLUDING GREASE, DIRT, MACHINING OIL AND OTHER CONTAMINANTS.
4. PARTS SHALL BE PACKAGED IN A MANNER TO PREVENT SCRATCHING, BOWING OR OTHER DAMAGE DURING SHIPMENT.



REVISIONS

REV	DATE	ECO NO	DESCRIPTION	BY:
A	02/03/2014	N/A	ORIGINAL	E. FORONDA
B	10/31/2014	N/A	ITEM 16 WAS 1104.00059.00	E. FORONDA

B

ITEM NO	QTY	PART NO	DESCRIPTION
19	1	1102.00238.00	ASSEMBLY POWER CORD, 16A/250VAC, EUI-16P PLUG
18	1	B014218BN2	BB ASST, 13" X 5" Ø 218" HOLE, BRN PLUG
17	1	1102.00209.00	ASSEMBLY BACK PANEL, CBS-2131 AND 2141
16	1	1104.00090.00	TANK ASSY, 3.0KW/240VAC, CBS-2141 XTS
15	1	1402.00062.00	HARNSS, HIGH AMP, CBS-2131/41 XTS, UL
14	1	1402.00045.00	HARNSS LOW AMP, CBS-2141/51 XTS, CE/UL
13	1	1023.00147.00	PLUG, TANK SERVICE DRAIN FOR 18GA AND UP BODY
12	1	1102.00243.00	ADAPTER ASST, 3/4" BSP x 1/4" NPT x 3/8" TUBE
11	1	1057.00043.00	SOLENOID VALVE, SINGLE, 180 DEG, 24VDC
10	4	1013.00002.00	LEG, FLANGE FOOT, 4.0" HIGH
9	1	1001.00181.00	COVER FRONT, CBS-2100 XTS
8	1	1102.00219.00	ASSEMBLY, BB LOCKER, 24VDC
7	1	1102.00113.00	SWITCH, REED, ASSEMBLY
6	1	1102.00220.00	ASSEMBLY, BYPASS VALVE, RIGHT
5	1	1102.00203.00	ASSEMBLY, SPRAY HOUSING, DISPIII DESIGN
4	1	1024.00063.00	O-RING, 3.15/16" x 3/32" CS, DASH # 154, BUNA-N, DURO-450
3	1	1024.00040.00	CARD PLUG, HMD-2100
2	1	1071.00010.00	FINGER HPSC BR-8 REGULAR HANDLE
1	1	1102.00210.00	ASSEMBLY, FRONT PANEL, CBS-2100 XTS

BILL OF MATERIALS

FETCO FOOD EQUIPMENT TECHNOLOGIES COMPANY
 10000 W. 10TH AVE. SUITE 1000
 DENVER, CO 80202
 PHONE: (800) 338-2669 (847) 719-3002
 FAX: (800) 338-2669 (847) 719-3002
 E-MAIL: engineering@fetco.com www.fetco.com

DRAWING NAME:	DRAWING NO:
SERVICE PARTS, CBS-2141, 3KW/240V XTS	02/03/2014
CREATED BY:	DATE:
E. FORONDA	02/03/2014
DRAWING BY:	SCALE:
E. FORONDA	0.125
APP'D BY:	SHEETS:
AG	1 of 1
REVISION	FINISH
B	N/A

UNLESS OTHERWISE SPECIFIED	ALL DIMENSIONS IN INCHES
DECIMAL ± .005	ANGULAR ± 1/2
THIRD ANGLE	
WELDING	
N/A	N/A

DWG. REF.: 1101.00194.00

PROPRIETARY AND CONFIDENTIAL. THIS DRAWING IS THE SOLE PROPERTY OF FETCO. THE INFORMATION CONTAINED IN THIS DRAWING IS TO BE USED FOR THE MANUFACTURE OF THE PRODUCT DESCRIBED HEREIN ONLY. ANY REPRODUCTION IN PART OR AS A WHOLE WITHOUT THE WRITTEN PERMISSION OF FETCO IS PROHIBITED.